



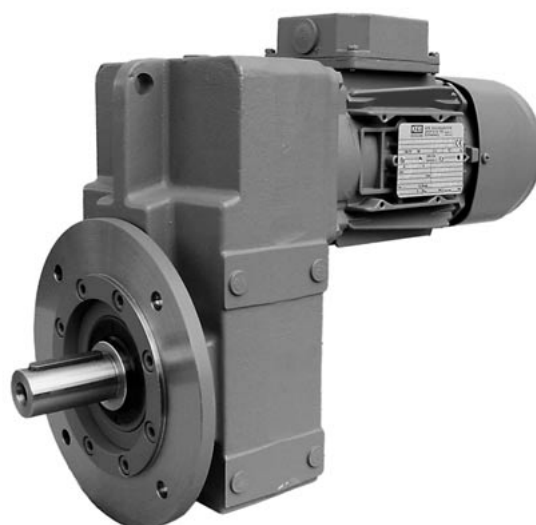
**F4.2A DA100LX4 BMB**



**F4.2B DA100L4**

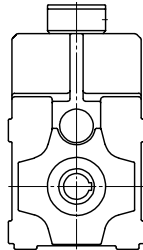
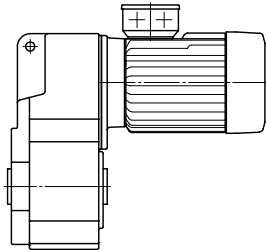


**F3.2CV DA63G4**

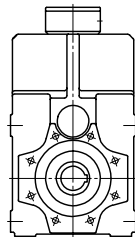
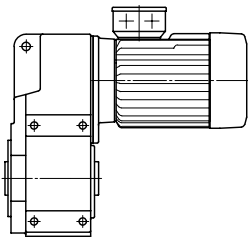


# 軸上取り付け ヘリカルギヤードモータ F

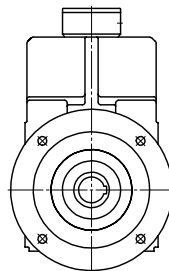
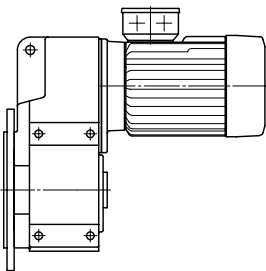
# KEB



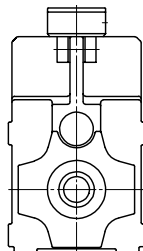
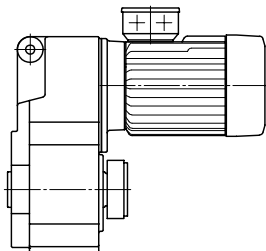
軸上取り付け  
(中空軸にキー溝付き)  
例: F4.2**A** DA100L4



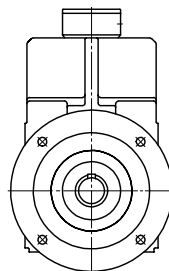
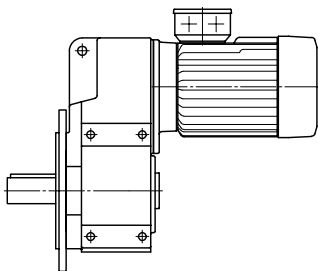
B14 フランジ取り付け  
(中空軸にキー溝付き)  
例: F6.2**B** DA160M4



B5 フランジ取り付け  
(中空軸にキー溝付き)  
例: F3.3**C** DL71G4

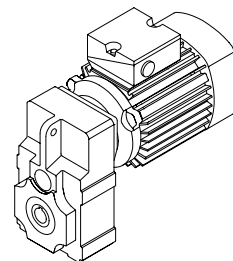


軸上取り付け  
(中空軸にシュリンクディスク付き)  
(ラバーエレメント付き)  
例: F5.2**ASG** DA132M4



B5 フランジ取り付け  
(中実軸にキー付き)  
例: F4.2**CV** DA100LX4

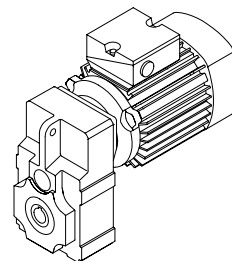
# 軸上取り付け ヘリカルギヤードモータ F



P	n2	M	cG	i	Fr	Fa	機種	寸法	質量
[kW]	[1/min]	[Nm]			[N]	[N]		ページ	[kg]
<b>0.12</b>	0.37	3090	0.9	3807.8	21200	18900	F6.3/G1.2A DL63K4	87/88	107
	0.41	2810	1.0	3460.8	21200	19400	F6.3/G1.2B DL63K4		107
	0.47	2420	1.1	2982.5	21200	20100	F6.3/G1.2C DL63K4		115
	0.52	2200	1.2	2710.7	21200	20500			
	0.59	1950	1.4	2396.9	21200	21000			
	0.65	1770	1.6	2178.5	21200	21300			
	0.72	1600	1.7	1966.5	21200	21600			
	0.79	1450	1.9	1787.3	21200	21900			
	0.91	1260	2.2	1555.6	21200	22200			
	1.00	1150	2.4	1413.8	21200	22400			
	1.1	1040	2.6	1284.1	21200	22600			
	1.2	950	2.9	1167.1	21200	22800			
	0.74	1550	0.9	1902.3	15300	12900	F5.3/G1.2A DL63K4		86/88
0.82	1410	1.0	1729.0	15300	13200	F5.3/G1.2B DL63K4		69	
0.90	1270	1.1	1560.7	15300	13500	F5.3/G1.2C DL63K4		75	
0.99	1150	1.2	1418.5	15300	13800				
1.1	1000	1.3	1234.6	15300	14100				
1.3	910	1.5	1122.1	15300	14300				
1.4	830	1.6	1019.1	15300	14500				
1.5	755	1.8	926.24	15300	14600				
1.8	630	2.1	775.93	15300	14900				
2.0	575	2.4	705.22	15300	15000				
2.3	495	2.7	607.76	15300	15200				
2.6	450	3.0	552.38	15300	15300				
1.9	600	2.1	735.37	15300	15000	F5.3A DL63K4	86	63	
2.4	480	2.8	593.46	15300	15200	F5.3B DL63K4		63	
						F5.3C DL63K4		69	
1.3	865	0.8	1064.7	10300	9260	F4.2/G1.2A DL63K4	85/88	39	
1.5	780	0.9	961.06	10300	9490	F4.2/G1.2B DL63K4		39	
1.6	710	1.0	873.48	10300	9680	F4.2/G1.2C DL63K4		43	
1.9	620	1.2	760.24	10300	9930				
2.0	560	1.3	690.96	10300	10100				
2.2	510	1.4	627.56	10300	10200				
2.5	465	1.6	570.37	10300	10300				
3.0	390	1.9	477.81	10300	10600				
3.2	355	2.0	434.27	10300	10600				
3.8	305	2.4	374.25	10300	10800				
4.1	275	2.6	340.15	10300	10900				
2.1	555	1.0	681.24	10300	10100	F4.3A DL63K4	85	38	
2.4	485	1.2	599.36	10300	10300	F4.3B DL63K4		38	
2.9	390	1.5	481.96	10300	10500	F4.3C DL63K4		41	
3.5	325	1.8	401.64	10300	10700				
4.6	250	2.3	308.95	10300	10900				
3.0	380	0.8	466.63	6060	2380	F3.2/G1.2A DL63K4	84/88	29	
3.6	320	0.9	390.90	6060	2590	F3.2/G1.2B DL63K4		29	
4.0	290	1.0	355.28	6060	2690	F3.2/G1.2C DL63K4		31	
4.6	250	1.2	306.18	6060	2820				
5.1	225	1.3	278.28	6060	2890				
4.1	280	1.1	225.43	6060	2720	F3.3A DL63G6	84	24	
5.2	220	1.4	176.25	6060	2920	F3.3B DL63G6		24	
						F3.3C DL63G6		26	
6.3	183	1.6	225.43	6060	3040	F3.3A DL63K4	84	24	
8.0	143	2.1	176.25	6060	3170	F3.3B DL63K4		24	
9.8	117	2.6	143.46	6060	3260	F3.3C DL63K4		26	

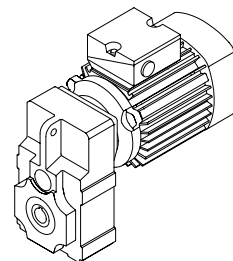
# 軸上取り付け ヘリカルギヤードモータ F

# KEB



P	n2	M	cG	i	Fr	Fa	機種	寸法	質量	
[kW]	[1/min]	[Nm]			[N]	[N]		ページ	[kg]	
<b>0.12</b>	20	57	4.3	70.09	6060	3460	F3.2A DL63K4	84	21	
	24	47	5.9	58.41	6060	3490	F3.2B DL63K4		21	
	31	37	8.1	45.50	6030	3530	F3.2C DL63K4		23	
	38	30	10.0	36.89	5660	3550				
	52	22	13.6	27.11	5140	3580				
	64	18	16.8	21.87	4800	3590				
	76	15	19.9	18.44	4550	3600				
	102	11	26.6	13.83	4150	3610				
121	9.5	31.5	11.68	3930	3620					
<b>0.18</b>	0.52	3300	0.8	2710.7	21200	18600	F6.3/G1.2A DL63G4	87/88	107	
	0.59	2920	0.9	2396.9	21200	19200	F6.3/G1.2B DL63G4		107	
	0.65	2660	1.0	2178.5	21200	19700	F6.3/G1.2C DL63G4		115	
	0.72	2400	1.1	1966.5	21200	20200				
	0.79	2180	1.3	1787.3	21200	20600				
	0.91	1900	1.5	1555.6	21200	21100				
	1.00	1720	1.6	1413.8	21200	21400				
	1.1	1570	1.8	1284.1	21200	21700				
	1.2	1420	1.9	1167.1	21200	21900				
	1.4	1190	2.3	977.67	21200	22400				
	1.6	1080	2.5	888.58	21200	22500				
	1.8	935	2.9	765.78	21200	22800				
	0.99	1730	0.8	1418.5	15300	12500	F5.3/G1.2A DL63G4		86/88	69
	1.1	1510	0.9	1234.6	15300	13000	F5.3/G1.2B DL63G4			69
	1.3	1370	1.0	1122.1	15300	13300	F5.3/G1.2C DL63G4			75
	1.4	1240	1.1	1019.1	15300	13600				
	1.5	1130	1.2	926.24	15300	13800				
	1.8	945	1.4	775.93	15300	14200				
2.0	860	1.6	705.22	15300	14400					
2.3	740	1.8	607.76	15300	14600					
2.6	675	2.0	552.38	15300	14800					
1.9	895	1.4	735.37	15300	14300	F5.3A DL63G4	86	63		
2.4	725	1.9	593.46	15300	14700	F5.3B DL63G4		63		
2.9	600	2.3	490.25	15300	15000	F5.3C DL63G4		69		
3.7	465	2.9	380.59	15300	15200					
1.9	925	0.8	760.24	10300	9100	F4.2/G1.2A DL63G4	85/88	39		
2.0	840	0.9	690.96	10300	9330	F4.2/G1.2B DL63G4		39		
2.2	765	0.9	627.56	10300	9530	F4.2/G1.2C DL63G4		43		
2.5	695	1.0	570.37	10300	9720					
3.0	585	1.2	477.81	10300	10000					
3.2	530	1.4	434.27	10300	10200					
3.8	455	1.6	374.25	10300	10400					
4.1	415	1.7	340.15	10300	10500					
2.4	730	0.8	599.36	10300	9630	F4.3A DL63G4	85	38		
2.9	590	1.0	481.96	10300	10000	F4.3B DL63G4		38		
3.5	490	1.2	401.64	10300	10300	F4.3C DL63G4		41		
4.6	375	1.5	308.95	10300	10600					
6.5	265	2.2	216.27	10300	10900					
7.9	215	2.7	177.43	10300	11000					
4.6	375	0.8	306.18	6060	2400	F3.2/G1.2A DL63G4		84/88	29	
5.1	340	0.9	278.28	6060	2520	F3.2/G1.2B DL63G4	29			
						F3.2/G1.2C DL63G4	31			
5.2	330	0.9	176.25	6060	2560	F3.3A DL71K6	84	24		
						F3.3B DL71K6		24		
						F3.3C DL71K6		26		

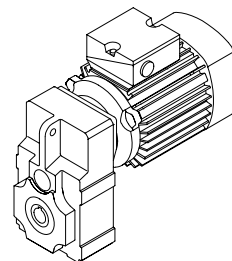
# 軸上取り付け ヘリカルギヤードモータ F



P	n2	M	cG	i	Fr	Fa	機種	寸法	質量
[kW]	[1/min]	[Nm]			[N]	[N]		ページ	[kg]
<b>0.18</b>	6.3	275	1.1	225.43	6060	2730	F3.3A DL63G4	84	24
	8.0	215	1.4	176.25	6060	2930	F3.3B DL63G4		24
	9.8	175	1.7	143.46	6060	3070	F3.3C DL63G4		26
	13	130	2.3	106.57	6060	3220			
	17	100	3.0	81.98	6060	3320			
	20	85	2.8	70.09	6060	3360	F3.2A DL63G4	84	21
	24	71	4.0	58.41	6060	3410	F3.2B DL63G4		21
	31	55	5.4	45.50	5900	3460	F3.2C DL63G4		23
	38	45	6.6	36.89	5550	3500			
	52	33	9.0	27.11	5060	3540			
	64	27	11.2	21.87	4740	3560			
	76	22	13.3	18.44	4500	3570			
	102	17	17.7	13.83	4110	3590			
	121	14	21.0	11.68	3900	3600			
	<b>0.25</b>	0.70	3390	0.8	1966.5	21200	18400	F6.3/G1.2A DL71K4	87/88
0.77		3080	0.9	1787.3	21200	19000	F6.3/G1.2B DL71K4	107	
0.89		2680	1.0	1555.6	21200	19700	F6.3/G1.2C DL71K4	115	
0.98		2440	1.1	1413.8	21200	20100			
1.1		2210	1.2	1284.1	21200	20500			
1.2		2010	1.4	1167.1	21200	20900			
1.4		1690	1.6	977.67	21200	21500			
1.6		1530	1.8	888.58	21200	21700			
1.8		1320	2.1	765.78	21200	22100			
2.0		1200	2.3	696.00	21200	22300			
1.4		1760	0.8	1019.1	15300	12500	F5.3/G1.2A DL71K4	86/88	69
1.5		1600	0.8	926.24	15300	12800	F5.3/G1.2B DL71K4		69
1.8		1340	1.0	775.93	15300	13400	F5.3/G1.2C DL71K4		75
2.0		1220	1.1	705.22	15300	13600			
2.3		1050	1.3	607.76	15300	14000			
2.5		950	1.4	552.38	15300	14200			
1.9		1270	1.0	735.37	15300	13500	F5.3A DL71K4	86	63
2.3		1020	1.3	593.46	15300	14000	F5.3B DL71K4		63
2.8		845	1.6	490.25	15300	14400	F5.3C DL71K4		69
3.6		655	2.1	380.59	15300	14800			
4.5		535	2.5	309.63	15300	15100			
2.9		825	0.9	477.81	10300	9380	F4.2/G1.2A DL71K4	85/88	39
3.2		750	1.0	434.27	10300	9580	F4.2/G1.2B DL71K4		39
3.7		645	1.1	374.25	10300	9860	F4.2/G1.2C DL71K4		43
4.1		585	1.2	340.15	10300	10000			
3.4		690	0.8	401.64	10300	9730	F4.3A DL71K4	85	38
4.5		535	1.1	308.95	10300	10200	F4.3B DL71K4		38
6.4		375	1.6	216.27	10300	10600	F4.3C DL71K4		41
7.8		305	1.9	177.43	10300	10800			
9.9		240	2.4	140.35	10300	10900			
12	200	2.9	115.86	10300	11100				
6.1	390	0.8	225.43	6060	2350	F3.3A DL71K4	84	24	
7.9	305	1.0	176.25	6060	2640	F3.3B DL71K4		24	
9.7	245	1.2	143.46	6060	2820	F3.3C DL71K4		26	
13	184	1.6	106.57	6060	3040				
17	141	2.1	81.98	6060	3180				

# 軸上取り付け ヘリカルギヤードモータ F

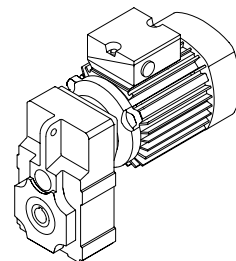
# KEB



P	n2	M	cG	i	Fr	Fa	機種	寸法	質量
[kW]	[1/min]	[Nm]			[N]	[N]		ページ	[kg]
<b>0.25</b>									
20	121	2.0	70.09	6060	3250	F3.2A DL71K4	84	21	
24	101	2.8	58.41	6060	3310	F3.2B DL71K4		21	
30	78	3.8	45.50	5770	3390	F3.2C DL71K4		23	
38	64	4.7	36.89	5450	3440				
51	47	6.4	27.11	4990	3490				
63	38	7.9	21.87	4690	3520				
75	32	9.4	18.44	4460	3540				
100	24	12.5	13.83	4090	3570				
119	20	14.8	11.68	3880	3580				
<b>0.37</b>									
1.1	3290	0.8	1284.1	21200	18600	F6.3/G1.2A DL71G4	87/88	108	
1.2	2990	0.9	1167.1	21200	19100	F6.3/G1.2B DL71G4		108	
1.4	2500	1.1	977.67	21200	20000	F6.3/G1.2C DL71G4		116	
1.6	2280	1.2	888.58	21200	20400				
1.8	1960	1.4	765.78	21200	21000				
2.0	1780	1.5	696.00	21200	21300				
2.3	1560	0.9	607.76	15300	12900	F5.3/G1.2A DL71G4	86/88	70	
2.5	1410	1.0	552.38	15300	13200	F5.3/G1.2B DL71G4		70	
						F5.3/G1.2C DL71G4		76	
2.3	1520	0.9	593.46	15300	13000	F5.3A DL71G4	86	64	
2.8	1260	1.1	490.25	15300	13500	F5.3B DL71G4		64	
3.6	975	1.4	380.59	15300	14100	F5.3C DL71G4		70	
4.5	795	1.7	309.63	15300	14500				
6.2	565	2.4	221.16	15300	15000				
7.7	460	2.9	179.70	15300	15300				
4.1	870	0.8	340.15	10300	9250	F4.2/G1.2A DL71G4	85/88	40	
						F4.2/G1.2B DL71G4		40	
						F4.2/G1.2C DL71G4		44	
6.4	555	1.0	216.27	10300	10100	F4.3A DL71G4	85	39	
7.8	455	1.3	177.43	10300	10400	F4.3B DL71G4		39	
9.8	360	1.6	140.35	10300	10600	F4.3C DL71G4		42	
12	295	1.9	115.86	10300	10800				
16	225	2.6	88.21	10300	11000				
9.6	365	0.8	143.46	6060	2420	F3.3A DL71G4	84	25	
13	275	1.1	106.57	6060	2740	F3.3B DL71G4		25	
17	210	1.4	81.98	6060	2950	F3.3C DL71G4		27	
20	179	1.4	70.09	6030	3050	F3.2A DL71G4	84	22	
24	150	1.9	58.41	5820	3150	F3.2B DL71G4		22	
30	116	2.6	45.50	5500	3260	F3.2C DL71G4		24	
37	94	3.2	36.89	5230	3330				
51	69	4.3	27.11	4840	3420				
63	56	5.3	21.87	4560	3460				
75	47	6.3	18.44	4350	3490				
100	35	8.4	13.83	4010	3530				
118	30	10.0	11.68	3820	3550				
<b>0.55</b>									
1.6	3360	0.8	888.58	21200	18500	F6.3/G1.2A DA80K4	87/88	110	
1.8	2890	1.0	765.78	21200	19300	F6.3/G1.2B DA80K4		110	
2.0	2630	1.0	696.00	21200	19800	F6.3/G1.2C DA80K4		119	

# 軸上取り付け ヘリカルギヤードモータ F

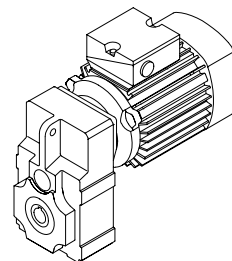
# KEB



P	n2	M	cG	i	Fr	Fa	機種	寸法	質量
[kW]	[1/min]	[Nm]			[N]	[N]		ページ	[kg]
<b>0.55</b>	2.0	2580	0.9	682.73	21200	19900	F6.3A DA80K4	87	105
	2.4	2150	1.3	568.94	21200	20600	F6.3B DA80K4		105
	3.1	1670	1.6	443.18	21200	21500	F6.3C DA80K4		114
	3.9	1360	2.0	359.33	21200	22100			
	5.3	1000	2.8	264.11	21200	22700			
	3.7	1440	0.9	380.59	15300	13100	F5.3A DA80K4	86	67
	4.5	1170	1.2	309.63	15300	13700	F5.3B DA80K4		67
	6.3	835	1.6	221.16	15300	14400	F5.3C DA80K4		73
	7.7	680	2.0	179.70	15300	14800			
	9.3	565	2.4	149.98	15300	15000			
	7.8	670	0.9	177.43	10300	9790	F4.3A DA80K4	85	42
	9.9	530	1.1	140.35	10300	10200	F4.3B DA80K4		42
	12	440	1.3	115.86	10300	10400	F4.3C DA80K4		45
	16	335	1.7	88.21	10300	10700			
	20	260	2.2	69.09	10300	10900			
	26	199	2.9	52.68	9920	11100			
	20	270	1.6	70.89	10300	10900	F4.2A DA80K4	85	38
	25	210	2.5	55.61	10100	11000	F4.2B DA80K4		38
							F4.2C DA80K4		41
	17	310	1.0	81.98	5470	2620	F3.3A DA80K4	84	28
							F3.3B DA80K4		28
							F3.3C DA80K4		30
	20	265	0.9	70.09	5400	2770	F3.2A DA80K4	84	25
	24	220	1.3	58.41	5290	2910	F3.2B DA80K4		25
31	172	1.7	45.50	5090	3080	F3.2C DA80K4	27		
38	139	2.1	36.89	4900	3180				
51	102	2.9	27.11	4590	3310				
64	83	3.6	21.87	4360	3370				
75	70	4.3	18.44	4180	3420				
100	52	5.7	13.83	3880	3480				
119	44	6.8	11.68	3700	3500				
<b>0.75</b>	2.0	3540	0.8	696.00	21200	18100	F6.3/G1.2A DA80G4	87/88	113
							F6.3/G1.2B DA80G4		113
							F6.3/G1.2C DA80G4		121
	2.5	2890	1.0	568.94	21200	19300	F6.3A DA80G4	87	108
	3.2	2250	1.2	443.18	21200	20400	F6.3B DA80G4		108
	3.9	1830	1.5	359.33	21200	21200	F6.3C DA80G4		116
	5.3	1340	2.0	264.11	21200	22100			
	6.6	1080	2.5	213.03	21200	22600			
	7.8	915	3.0	179.67	21200	22900			
	4.6	1570	0.9	309.63	15300	12900	F5.3A DA80G4	86	69
	6.4	1120	1.2	221.16	15300	13800	F5.3B DA80G4		69
	7.8	915	1.5	179.70	15300	14300	F5.3C DA80G4		75
	9.4	760	1.8	149.98	15300	14600			
	12	580	2.3	114.11	15300	15000			
	16	460	2.9	90.31	15300	15300			
	10	715	0.8	140.35	10300	9670	F4.3A DA80G4	85	44
	12	590	1.0	115.86	10300	10000	F4.3B DA80G4		44
	16	450	1.3	88.21	10300	10400	F4.3C DA80G4		48
	20	350	1.6	69.09	10000	10700			
	27	270	2.2	52.68	9470	10900			
	37	193	3.0	37.92	8760	11100			

# 軸上取り付け ヘリカルギヤードモータ F

# KEB

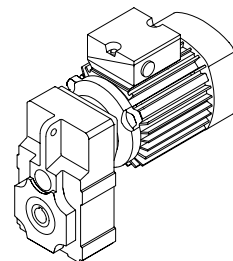


P	n2	M	cG	i	Fr	Fa	機種	寸法	質量	
[kW]	[1/min]	[Nm]			[N]	[N]		ページ	[kg]	
<b>0.75</b>	20	360	1.2	70.89	10100	10600	F4.2A DA80G4	85	40	
	25	280	1.9	55.61	9590	10800	F4.2B DA80G4		40	
	31	230	2.8	45.22	9140	11000	F4.2C DA80G4		43	
	24	295	1.0	58.41	4710	2660	F3.2A DA80G4	84	27	
	31	230	1.3	45.50	4630	2880	F3.2B DA80G4		27	
	38	187	1.6	36.89	4520	3020	F3.2C DA80G4		29	
	52	138	2.2	27.11	4310	3190				
	64	111	2.7	21.87	4130	3280				
	76	94	3.2	18.44	3990	3340				
	102	70	4.3	13.83	3730	3420				
	121	59	5.0	11.68	3570	3450				
	<b>1.1</b>	3.1	3350	0.8	443.18	21200	18500	F6.3A DA90S4	87	109
		3.9	2720	1.0	359.33	21200	19600	F6.3B DA90S4		109
		5.3	2000	1.4	264.11	21200	20900	F6.3C DA90S4		117
		6.5	1610	1.7	213.03	21200	21600			
7.7		1360	2.0	179.67	21200	22100				
10		1020	2.7	134.750	21200	22700				
7.7		1360	1.0	179.70	15300	13300	F5.3A DA90S4	86	70	
9.3		1130	1.2	149.98	15300	13800	F5.3B DA90S4		70	
12		860	1.6	114.11	15300	14400	F5.3C DA90S4		76	
15		685	2.0	90.31	14700	14800				
17		625	2.1	82.94	14500	14900				
19		555	2.4	73.54	14200	15000				
23		465	2.9	61.57	13600	15200				
16		665	0.9	88.21	9320	9800	F4.3A DA90S4	85	46	
20		520	1.1	69.09	9120	10200	F4.3B DA90S4		46	
						F4.3C DA90S4	49			
20	535	0.8	70.89	9150	10200	F4.2A DA90S4	85	41		
25	420	1.3	55.61	8860	10500	F4.2B DA90S4		41		
31	340	1.9	45.22	8560	10700	F4.2C DA90S4		45		
41	255	2.8	33.550	8060	10900					
31	345	0.9	45.50	3850	2500	F3.2A DA90S4	84	29		
38	280	1.1	36.89	3890	2720	F3.2B DA90S4		29		
51	205	1.5	27.11	3850	2970	F3.2C DA90S4		31		
64	165	1.8	21.87	3770	3100					
75	139	2.1	18.44	3680	3180					
100	105	2.9	13.83	3500	3300					
119	88	3.4	11.68	3390	3360					
152	69	4.3	9.15	3210	3420					
193	54	5.5	7.19	3030	3470					
259	41	7.4	5.38	2810	3510					
346	30	9.9	4.01	2600	3550					
<b>1.5</b>	5.3	2690	1.0	264.11	21200	19700	F6.3A DA90L4	87	111	
	6.6	2170	1.3	213.03	21200	20600	F6.3B DA90L4		111	
	7.8	1830	1.5	179.67	21200	21200	F6.3C DA90L4		119	
	10	1370	2.0	134.750	21200	22000				
	12	1160	2.4	113.79	21200	22400				
	16	910	3.0	89.14	21200	22900				



# 軸上取り付け ヘリカルギヤードモータ F

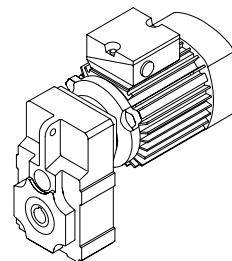
# KEB



P	n2	M	cG	i	Fr	Fa	機種	寸法	質量
[kW]	[1/min]	[Nm]			[N]	[N]		ページ	[kg]
<b>1.5</b>	9.4	1530	0.9	149.98	14000	12900	F5.3A DA90L4	86	73
	12	1160	1.2	114.11	13900	13700	F5.3B DA90L4		73
	16	920	1.5	90.31	13500	14300	F5.3C DA90L4		79
	17	845	1.6	82.94	13400	14400			
	19	750	1.8	73.54	13200	14600			
	23	630	2.1	61.57	12800	14900			
	26	560	2.4	54.74	12500	15000			
	20	725	1.3	70.89	13100	14700	F5.2A DA90L4	86	67
	24	590	1.7	58.06	12700	15000	F5.2B DA90L4		67
	32	445	2.9	43.450	11900	15300	F5.2C DA90L4		73
	20	705	0.8	69.09	8040	9700	F4.3A DA90L4	85	48
							F4.3B DA90L4		48
							F4.3C DA90L4		51
	25	565	0.9	55.61	7980	10100	F4.2A DA90L4	85	44
	31	460	1.4	45.22	7840	10400	F4.2B DA90L4		44
	42	340	2.1	33.550	7530	10700	F4.2C DA90L4		47
	49	290	2.5	28.600	7320	10800			
	61	235	2.3	23.15	7030	11000			
	38	375	0.8	36.89	3170	2390	F3.2A DA90L4	84	31
	52	275	1.1	27.11	3310	2730	F3.2B DA90L4		31
	64	225	1.3	21.87	3330	2910	F3.2C DA90L4		33
	76	188	1.6	18.44	3310	3020			
	102	141	2.1	13.83	3220	3180			
	120	119	2.5	11.68	3150	3250			
	154	93	3.2	9.15	3020	3340			
	195	73	4.1	7.19	2880	3410			
261	55	5.5	5.38	2700	3470				
350	41	7.3	4.01	2510	3510				
<b>2.2</b>	7.7	2720	1.0	179.67	21100	19600	F6.3A DA100L4	87	113
	10	2040	1.3	134.750	20900	20800	F6.3B DA100L4		113
	12	1720	1.6	113.79	20600	21400	F6.3C DA100L4		121
	16	1350	2.0	89.14	19900	22100			
	20	1060	2.6	70.070	19100	22600			
	15	1370	1.0	90.31	11500	13300	F5.3A DA100L4	86	74
							F5.3B DA100L4		74
							F5.3C DA100L4		80
	20	1070	0.8	70.89	11500	13900	F5.2A DA100L4	86	68
	24	880	1.2	58.06	11400	14400	F5.2B DA100L4		68
	32	655	1.9	43.450	11000	14800	F5.2C DA100L4		74
	38	555	2.6	36.850	10700	15000			
	60	350	2.9	23.15	9760	15500			
	31	685	0.9	45.22	6610	9750	F4.2A DA100L4	85	45
	41	505	1.4	33.550	6620	10200	F4.2B DA100L4		45
	49	430	1.7	28.600	6550	10400	F4.2C DA100L4		48
	60	350	1.5	23.15	6410	10700			
	80	265	2.7	17.42	6140	10900			

# 軸上取り付け ヘリカルギヤードモータ F

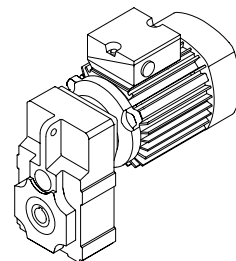
# KEB



P	n2	M	cG	i	Fr	Fa	機種	寸法	質量
[kW]	[1/min]	[Nm]			[N]	[N]		ページ	[kg]
<b>2.2</b>	75	280	1.1	18.44	2680	2720	F3.2A DA100L4	84	32
	100	210	1.4	13.83	2750	2950	F3.2B DA100L4		32
	119	177	1.7	11.68	2750	3060	F3.2C DA100L4		34
	152	138	2.2	9.15	2710	3190			
	193	109	2.7	7.19	2640	3290			
	259	81	3.7	5.38	2520	3380			
	346	61	4.9	4.01	2380	3450			
<b>3.0</b>	10	2740	1.0	134.750	18000	19600	F6.3A DA100LX4	87	120
	12	2310	1.2	113.79	18100	20300	F6.3B DA100LX4		120
	16	1810	1.5	89.14	17900	21200	F6.3C DA100LX4		128
	20	1420	1.9	70.070	17500	21900			
	27	1060	2.6	52.360	16800	22600			
	20	1470	1.2	72.11	17600	21900	F6.2A DA100LX4	87	109
	26	1100	1.8	53.900	16900	22500	F6.2B DA100LX4		109
	31	940	2.6	46.200	16400	22800	F6.2C DA100LX4		117
	24	1180	0.9	58.06	9860	13700	F5.2A DA100LX4	86	75
	32	885	1.4	43.450	9840	14300	F5.2B DA100LX4		75
	38	750	1.9	36.850	9720	14600	F5.2C DA100LX4		81
	47	605	2.5	29.79	9490	14900			
	61	470	2.2	23.15	9140	15200			
	42	680	1.1	33.550	5580	9760	F4.2A DA100LX4	85	52
	49	580	1.2	28.600	5660	10000	F4.2B DA100LX4		52
	61	470	1.2	23.15	5680	10300	F4.2C DA100LX4		56
	81	355	2.0	17.42	5590	9870			
	104	275	2.6	13.52	5420	9180			
	119	240	2.9	11.85	5320	8820			
76	375	0.8	18.44	1960	2400	F3.2A DA100LX4	84	39	
102	280	1.1	13.83	2210	2710	F3.2B DA100LX4		39	
121	235	1.3	11.68	2290	2860	F3.2C DA100LX4		41	
154	186	1.6	9.15	2350	3030				
196	146	2.0	7.19	2350	3160				
262	109	2.7	5.38	2300	3290				
351	82	3.7	4.01	2220	3380				
<b>4.0</b>	12	3100	0.9	113.79	15100	18900	F6.3A DA112M4	87	125
	16	2430	1.1	89.14	15600	20100	F6.3B DA112M4		125
	20	1910	1.4	70.070	15700	21100	F6.3C DA112M4		133
	27	1430	1.9	52.360	15400	21900			
	19	1970	0.9	72.11	15700	21000	F6.2A DA112M4	87	114
	26	1470	1.3	53.900	15500	21900	F6.2B DA112M4		114
	30	1260	1.9	46.200	15200	22200	F6.2C DA112M4		122
	37	1030	2.4	37.58	14800	22700			
	32	1190	1.1	43.450	8440	13700	F5.2A DA112M4	86	80
	38	1010	1.4	36.850	8540	14100	F5.2B DA112M4		80
	47	815	1.8	29.79	8540	14500	F5.2C DA112M4		86
	60	630	1.6	23.15	8400	14900			
	76	500	3.0	18.33	8170	14400			

# 軸上取り付け ヘリカルギヤードモータ F

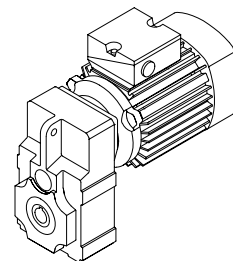
# KEB



P	n2	M	cG	i	Fr	Fa	機種	寸法	質量	
[kW]	[1/min]	[Nm]			[N]	[N]		ページ	[kg]	
<b>4.0</b>	42	915	0.8	33.550	4270	8590	F4.2A DA112M4	85	57	
	49	780	0.9	28.600	4550	8790	F4.2B DA112M4		57	
	60	630	0.9	23.15	4780	8840	F4.2C DA112M4		61	
	80	475	1.5	17.42	4920	8620				
	104	370	1.9	13.52	4900	8260				
	118	325	2.1	11.85	4860	8040				
	161	240	3.0	8.71	4700	7470				
	101	375	0.8	13.83	1530	2390	F3.2A DA112M4	84	44	
	120	320	0.9	11.68	1720	2590	F3.2B DA112M4		44	
	153	250	1.2	9.15	1900	2820	F3.2C DA112M4		46	
	195	196	1.5	7.19	2000	2990				
	260	147	2.0	5.38	2040	3160				
	349	109	2.7	4.01	2020	3280				
	<b>5.5</b>	16	3250	0.8	89.14	12100	18600	F6.3A DA132S4	87	141
								F6.3B DA132S4		141
								F6.3C DA132S4		149
27		1970	1.0	53.900	13300	21000	F6.2A DA132S4	87	130	
31		1690	1.4	46.200	13400	21500	F6.2B DA132S4		130	
38		1370	1.8	37.58	13300	22000	F6.2C DA132S4		138	
50		1060	2.4	28.97	13000	22600				
33		1580	0.8	43.450	6420	12800	F5.2A DA132S4	86	96	
39		1340	1.1	36.850	6810	13300	F5.2B DA132S4		96	
48		1090	1.4	29.79	7130	13600	F5.2C DA132S4		102	
62		845	1.2	23.15	7290	13200				
79		670	2.2	18.33	7270	12600				
101		520	2.9	14.300	7140	11900				
83		635	1.1	17.42	3930	6880	F4.2A DA132S4	85	73	
107		495	1.5	13.52	4130	6930	F4.2B DA132S4		73	
122		430	1.6	11.85	4180	6880	F4.2C DA132S4		77	
165	320	2.3	8.71	4180	6630					
203	260	2.8	7.10	4120	6390					
269	195	3.7	5.35	3980	6010					
358	147	4.9	4.02	3800	5600					
<b>7.5</b>	31	2300	1.0	46.200	11000	20400	F6.2A DA132M4		87	134
	38	1870	1.3	37.58	11300	21100	F6.2B DA132M4	134		
	50	1440	1.8	28.97	11500	20500	F6.2C DA132M4	142		
	66	1080	2.3	21.750	11300	19300				
	79	910	2.9	18.260	11100	18400				
	39	1830	0.8	36.850	4500	9280	F5.2A DA132M4	86	100	
	48	1480	1.0	29.79	5260	10100	F5.2B DA132M4		100	
	62	1150	0.9	23.15	5840	10600	F5.2C DA132M4		106	
	79	910	1.6	18.33	6120	10600				
	101	710	2.1	14.300	6240	10400				
	119	605	2.5	12.15	6240	10200				
	83	865	0.8	17.42	2610	4780	F4.2A DA132M4	85	78	
	107	675	1.1	13.52	3110	5320	F4.2B DA132M4		78	
	122	590	1.2	11.85	3280	5480	F4.2C DA132M4		81	
	165	435	1.7	8.71	3530	5620				
	203	355	2.0	7.10	3590	5580				
269	265	2.7	5.35	3580	5410					
358	200	3.6	4.02	3490	5160					

# 軸上取り付け ヘリカルギヤードモータ F

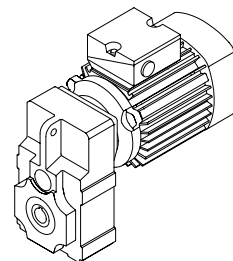
# KEB



P	n2	M	cG	i	Fr	Fa	機種	寸法	質量	
[kW]	[1/min]	[Nm]			[N]	[N]		ページ	[kg]	
<b>9.2</b>	31	2840	0.8	46.200	8900	17600	F6.2A DA132MX4	87	138	
	38	2310	1.1	37.58	9640	18200	F6.2B DA132MX4			
	49	1780	1.4	28.97	10200	18200	F6.2C DA132MX4			
	66	1340	1.8	21.750	10300	17600				
	78	1120	2.3	18.260	10300	17000				
	48	1830	0.8	29.79	3640	7420	F5.2A DA132MX4	86	105	
	78	1130	1.3	18.33	5130	9000	F5.2B DA132MX4			
	100	880	1.7	14.300	5470	9180	F5.2C DA132MX4			
	118	745	2.0	12.15	5590	9150				
	162	540	2.8	8.800	5630	8850				
	106	830	0.9	13.52	2220	3990	F4.2A DA132MX4	85	82	
	121	730	0.9	11.85	2510	4320	F4.2B DA132MX4			
	164	535	1.3	8.71	2960	4780	F4.2C DA132MX4			
	202	435	1.6	7.10	3130	4910				
	267	330	2.2	5.35	3230	4920				
355	245	2.9	4.02	3240	4800					
<b>11.0</b>	39	2690	0.9	37.58	7980	15100	F6.2A DA160M4	87	157	
	51	2080	1.2	28.97	8860	15800	F6.2B DA160M4			
	67	1560	1.6	21.750	9340	15800	F6.2C DA160M4			
	80	1310	2.0	18.260	9450	15600				
	102	1030	2.7	14.40	9420	15100				
	125	840	2.7	11.73	9280	14500				
	80	1310	1.1	18.33	4160	7440	F5.2A DA160M4	86	122	
	102	1030	1.5	14.300	4700	7950	F5.2B DA160M4			
	121	870	1.7	12.15	4930	8100	F5.2C DA160M4			
	166	630	2.4	8.800	5140	8090				
	206	510	2.9	7.12	5160	7930				
	253	415	3.3	5.79	5100	7690				
	<b>15.0</b>	67	2130	1.1	21.750	7120	12300	F6.2A DA160L4	87	176
		80	1790	1.5	18.260	7580	12600	F6.2B DA160L4		
102		1410	2.0	14.40	7950	12800	F6.2C DA160L4			
125		1150	2.0	11.73	8080	12700				
164		870	3.0	8.91	8060	12300				
80		1790	0.8	18.33	1900	4130	F5.2A DA160L4	86	141	
102		1400	1.1	14.300	2940	5360	F5.2B DA160L4			
121		1190	1.3	12.15	3430	5900	F5.2C DA160L4			
166		860	1.7	8.800	4060	6510				
206		695	2.2	7.12	4280	6670				
253		565	2.4	5.79	4390	6670				
<b>18.5</b>		67	2620	0.9	21.750	5170	9330	F6.2A DA180M4	87	202
		80	2200	1.2	18.260	5940	10200	F6.2B DA180M4		
		102	1740	1.6	14.40	6660	10900	F6.2C DA180M4		
	125	1420	1.6	11.73	7030	11100				
	164	1070	2.4	8.91	7260	11100				
	102	1720	0.9	14.300	1400	3210	F5.2A DA180M4	86	167	
	121	1460	1.0	12.15	2120	4070	F5.2B DA180M4			
	166	1060	1.4	8.800	3110	5180	F5.2C DA180M4			
	206	860	1.8	7.12	3510	5590				
	253	700	2.0	5.79	3760	5810				

# 軸上取り付け ヘリカルギヤードモータ F

# KEB



P	n2	M	cG	i	Fr	Fa	機種	寸法	質量
[kW]	[1/min]	[Nm]			[N]	[N]		ページ	[kg]
<b>22.0</b>	102	2050	1.3	14.40	5390	9020	F6.2A DA180L4	87	234
	126	1670	1.4	11.73	6000	9610	F6.2B DA180L4		234
	165	1270	2.1	8.91	6480	9970	F6.2C DA180L4		242
	206	1020	2.7	7.17	6650	9980			
	254	825	3.0	5.80	6690	9840			
<b>30.0</b>	102	2800	1.0	14.40	2470	4970	F6.2A DA200L4	87	270
	126	2280	1.0	11.73	3620	6310	F6.2B DA200L4		270
	165	1730	1.5	8.91	4660	7460	F6.2C DA200L4		279
	206	1390	2.0	7.17	5190	7980			
	254	1130	2.2	5.80	5510	8230			

# 軸上取り付け ヘリカルギヤードモータ F (高減速比仕様)



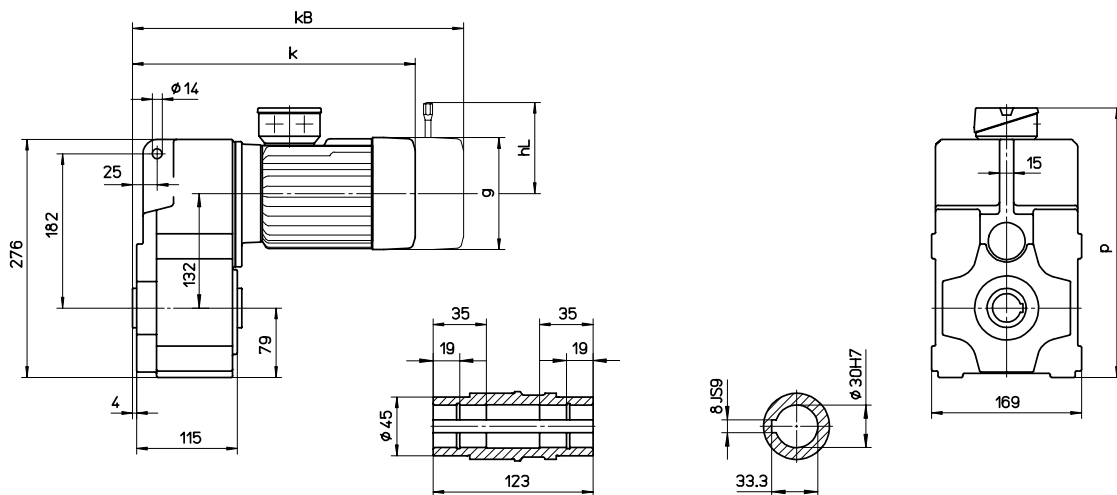
M [Nm]	n2 [1/min]	i	機種	寸法 ページ	質量 [kg]
<b>300</b>	0.36	3875.6	F3.2/G1.2A DL63K4	84/88	29
	0.40	3522.4	F3.2/G1.2B DL63K4		29
	0.41	3409.8	F3.2/G1.2C DL63K4	31	
	0.47	3018.9			
	0.51	2743.8			
	0.53	2656.1			
	0.58	2414.0			
	0.66	2135.8			
	0.73	1941.2			
	0.79	1779.8			
	0.87	1617.6			
	1.0	1369.1			
	1.1	1244.3			
	1.5	958.37			
	1.6	871.04			
	1.8	786.26			
	2.0	714.61			
2.3	621.96				
2.5	565.29				
2.7	513.41				
<b>720</b>	0.30	4703.8	F4.2/G1.2A DL63K4	85/88	39
	0.33	4275.1	F4.2/G1.2B DL63K4		39
	0.34	4138.5	F4.2/G1.2C DL63K4	43	
	0.38	3690.0			
	0.42	3353.8			
	0.43	3246.6			
	0.48	2950.7			
	0.54	2610.6			
	0.59	2372.7			
	0.65	2175.5			
	0.71	1977.3			
	0.84	1673.5			
	0.93	1521.0			
1.2	1171.4				

M [Nm]	n2 [1/min]	i	機種	寸法 ページ	質量 [kg]
<b>1350</b>	0.043	32530	F5.3/G1.2A DL63K4	86/88	69
	0.048	29566	F5.3/G1.2B DL63K4		69
	0.049	28620	F5.3/G1.2C DL63K4		75
	0.056	25253			
	0.061	22952			
	0.063	22218			
	0.070	20194			
	0.079	17866			
	0.087	16238			
	0.095	14889			
	0.10	13532			
	0.12	11453			
	0.14	10409			
	0.18	8017.0			
	0.19	7286.4			
	0.21	6577.2			
	0.24	5977.9			
	0.27	5202.9			
	0.30	4728.8			
	0.33	4294.8			
0.36	3903.5				
0.43	3270.0				
0.47	2972.0				
0.55	2561.3				
0.61	2327.9				
<b>2750</b>	0.037	37752	F6.3/G1.2A DL63K4	87/88	107
	0.041	34312	F6.3/G1.2B DL63K4		107
	0.042	33215	F6.3/G1.2C DL63K4		115
	0.048	29407			
	0.053	26727			
	0.054	25873			
	0.060	23515			
	0.068	20805			
	0.075	18909			
	0.081	17337			
	0.089	15757			
	0.11	13336			
	0.12	12121			
	0.15	9335.5			
	0.17	8484.8			
	0.18	7658.9			
	0.20	6961.0			
0.23	6058.5				
0.26	5506.4				
0.28	5001.1				
0.31	4545.4				

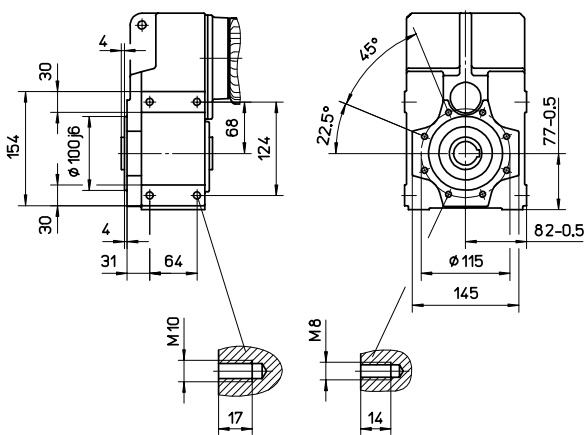
# 軸上取り付け ヘリカルギヤードモータ F



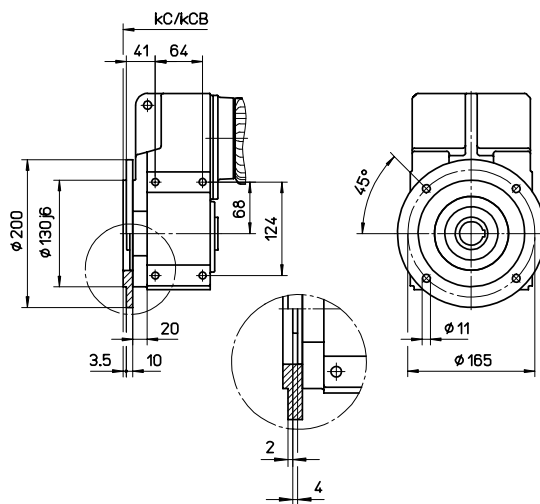
## F3.2A, F3.3A 軸上取り付け



## F3.2B, F3.3B B14 フランジ取り付け



## F3.2C, F3.3C B5 フランジ取り付け



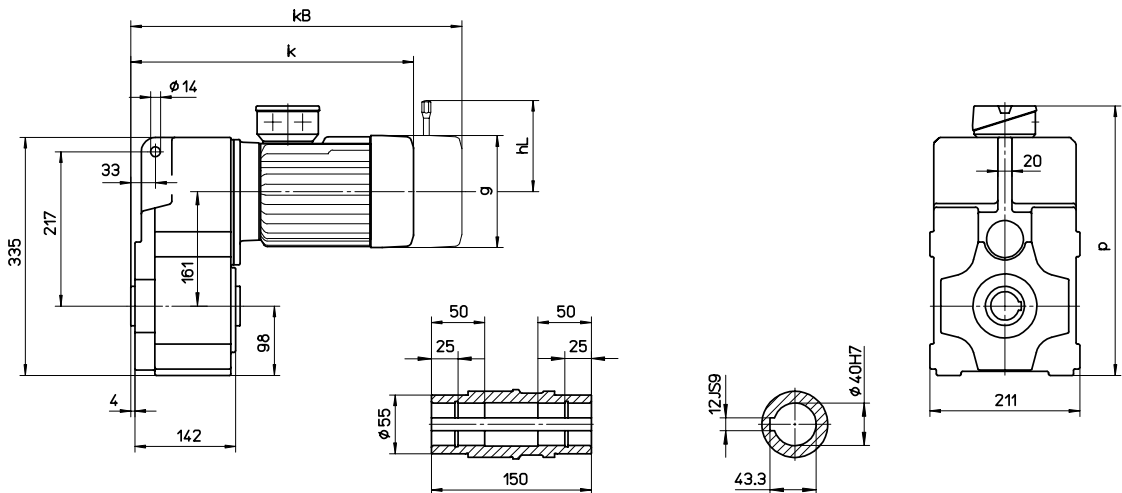
	k	kB	kC	kCB	g	p	hL
F3.2_DL63/71	301	353	307	359	126	324	106
F3.3_DL63/71	328	380	334	386	126	324	106
F3.2_DA80	350	421	357	428	158	346	128
F3.3_DA80	377	448	384	455	158	346	128
F3.2_DA90S	350	421	357	428	158	346	128
F3.2_DA90L	397	462	403	467	176	360	168
F3.2_DA100L	397	462	403	467	176	360	168
F3.2_DA100LX	435	509	441	515	197	367	176
F3.2_DA112	435	509	441	515	197	367	176

寸法kB, hLは、ギヤードモータにブレーキを取り付けた場合

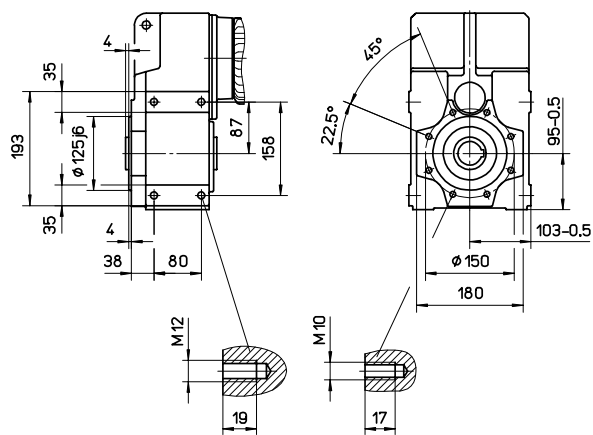
# 軸上取り付け ヘリカルギヤードモータ F



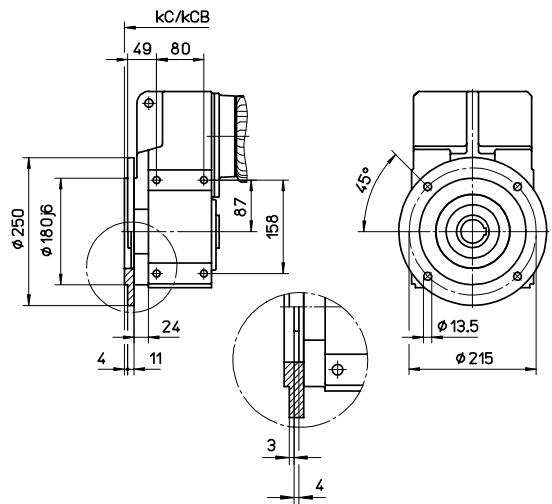
## F4.2A, F4.3A 軸上取り付け



## F4.2B, F4.3B B14 フランジ取り付け



## F4.2C, F4.3C B5 フランジ取り付け



	k	kB	kC	kCB	g	p	hL
F4.3_DL63/71	350	402	357	409	126	372	106
F4.2_DA80	371	442	379	450	158	394	128
F4.3_DA80	398	469	406	477	158	394	128
F4.2_DA90S	371	442	379	437	158	394	128
F4.2_DA90L	418	483	425	489	176	408	168
F4.2_DA100L	418	483	425	489	176	408	168
F4.2_DA100LX	456	530	463	536	195	415	176
F4.2_DA112	456	530	463	536	195	415	176
F4.2_DA132	560	659	568	667	245	447	225

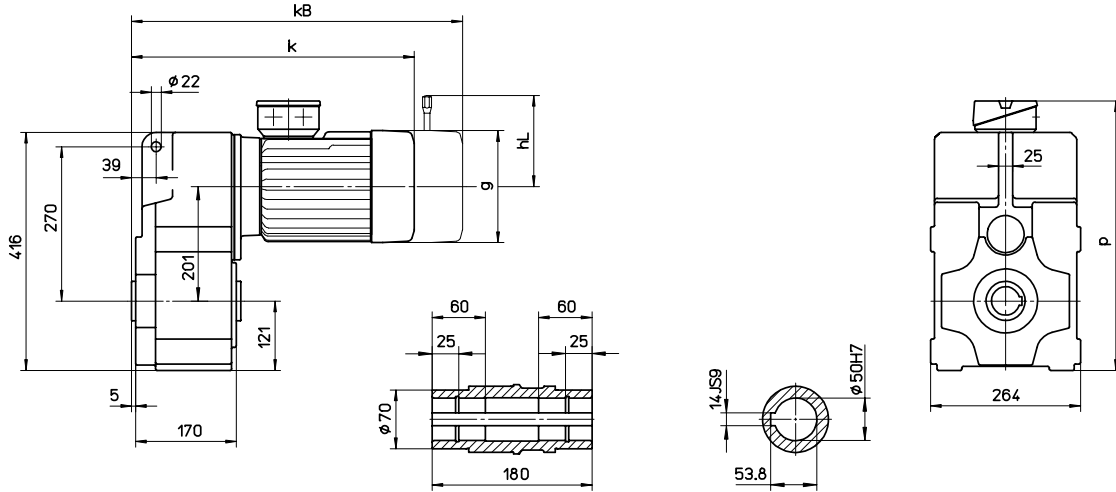
寸法kB, hLは、ギヤードモータにブレーキを取り付けた場合



# 軸上取り付け ヘリカルギヤードモータ F

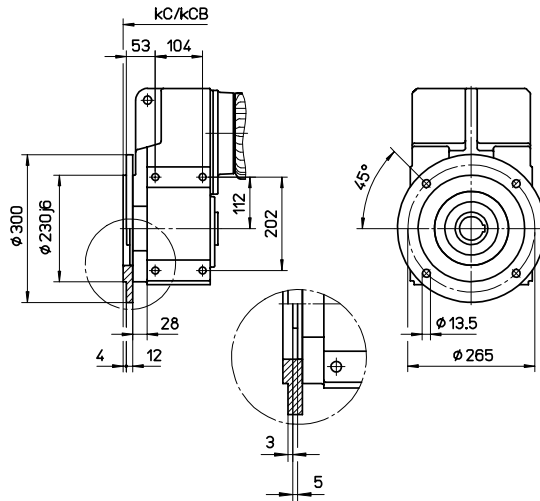
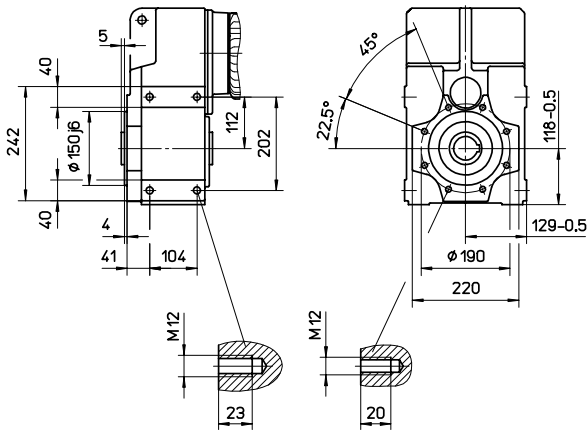


## F5.2A, F5.3A 軸上取り付け



## F5.2B, F5.3B B14 フランジ取り付け

## F5.2C, F5.3C B5 フランジ取り付け



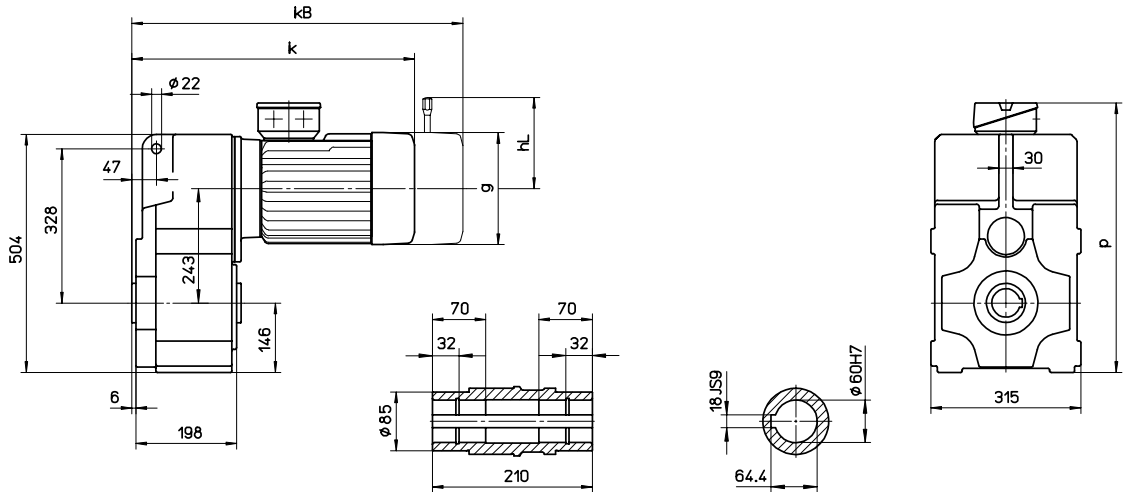
	k	kB	kC	kCB	g	p	hL
F5.3_DL63/71	377	429	384	436	126	435	106
F5.3_DA80	426	497	434	505	158	457	128
F5.2_DA90L	439	504	446	510	176	471	168
F5.3_DA90S	426	497	434	505	158	457	128
F5.3_DA90L	473	537	479	543	176	471	168
F5.2_DA100L	439	504	446	510	176	471	168
F5.3_DA100L	473	537	479	543	176	471	168
F5.2_DA100LX	477	551	484	557	195	478	176
F5.2_DA112	477	551	484	557	195	478	176
F5.2_DA132	581	680	589	688	245	510	225
F5.2_DA160	705	825	712	832	311	572	256
F5.2_DA180M	705	825	712	832	311	572	256

寸法kB, hLは、ギヤードモータにブレーキを取り付けた場合

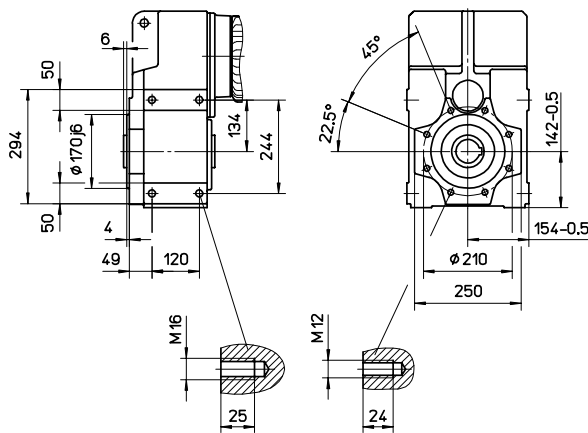
# 軸上取り付け ヘリカルギヤードモータ F



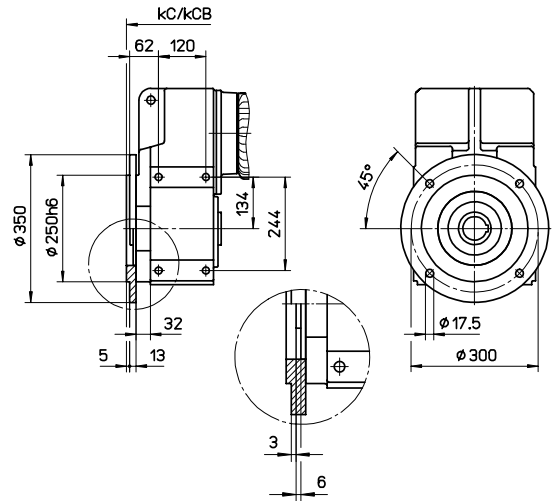
## F6.2A, F6.3A 軸上取り付け



## F6.2B, F6.3B B14 フランジ取り付け



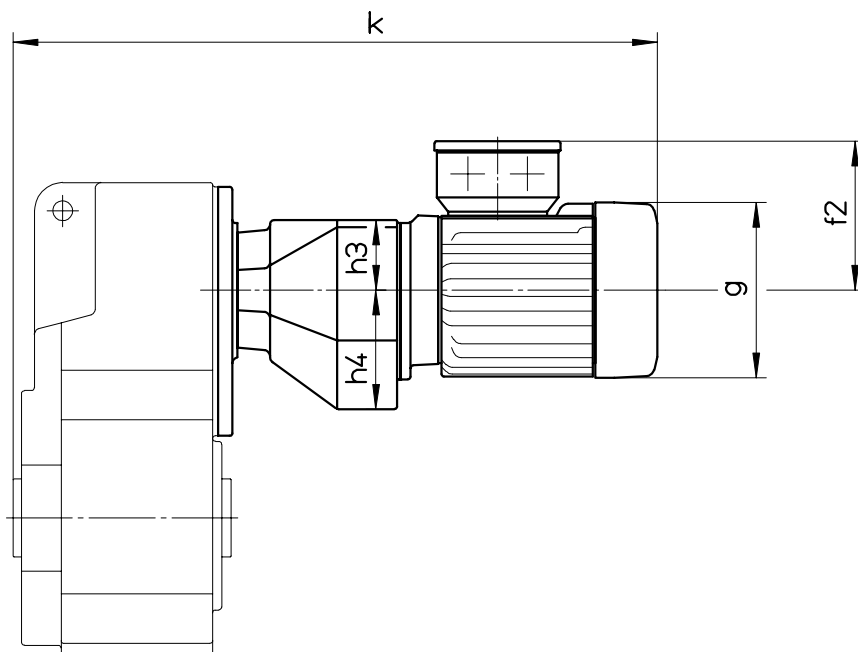
## F6.2C, F6.3C B5 フランジ取り付け



	k	kB	kC	kCB	g	p	hL
F6.3_DA80	451	522	460	531	158	524	128
F6.3_DA90S	451	522	460	531	158	524	128
F6.3_DA90L	498	563	506	570	176	538	168
F6.3_DA100L	498	563	506	570	176	538	168
F6.2_DA100LX	497	571	505	578	195	545	176
F6.3_DA100LX	536	610	544	617	195	545	176
F6.2_DA112	497	571	505	578	195	545	176
F6.3_DA112	536	610	544	617	195	545	176
F6.2_DA132	601	700	610	709	245	577	225
F6.2_DA160	725	845	733	853	311	639	256
F6.2_DA180M	725	845	733	853	311	639	256
F6.2_DA180L	766	905	774	913	356	680	335
F6.2_DA200L	766	905	774	913	356	680	335

寸法kB, hLは、ギヤードモータにブレーキを取り付けた場合

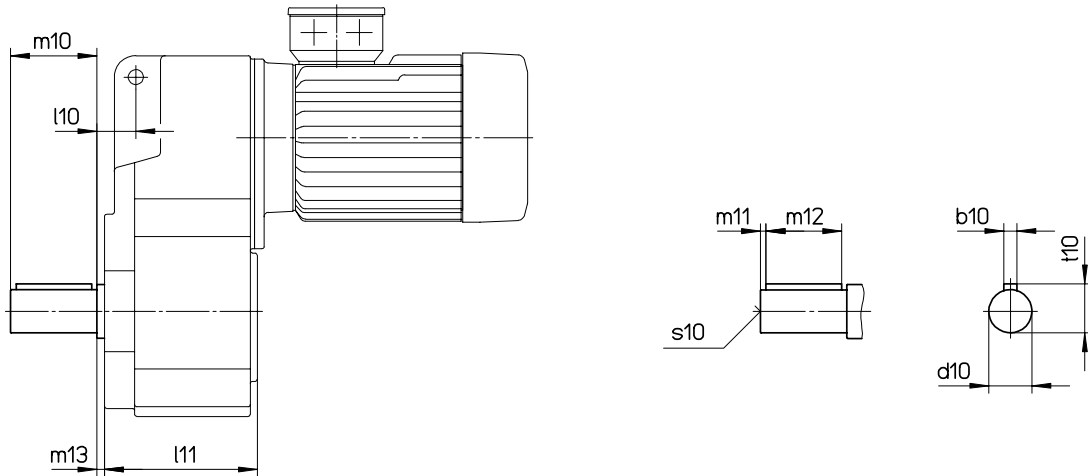
軸上取り付け ヘリカルギヤードモータ F (高減速比仕様)



	<b>k</b>	<b>g</b>	<b>f2</b>	<b>h3</b>	<b>h4</b>
<b>F3.2/G1.2A DL63/71</b>	446	126	113	50	84
<b>F4.2/G1.2A DL63/71</b>	467	126	113	50	84
<b>F5.3/G1.2A DL63/71</b>	521	126	113	50	84
<b>F6.3/G1.2A DL63/71</b>	547	126	113	50	84
<b>F6.3/G1.2A DA80</b>	596	158	135	50	84

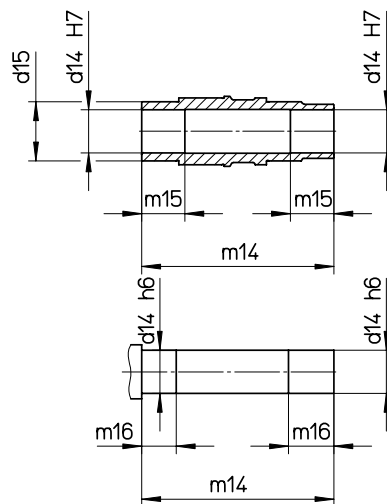
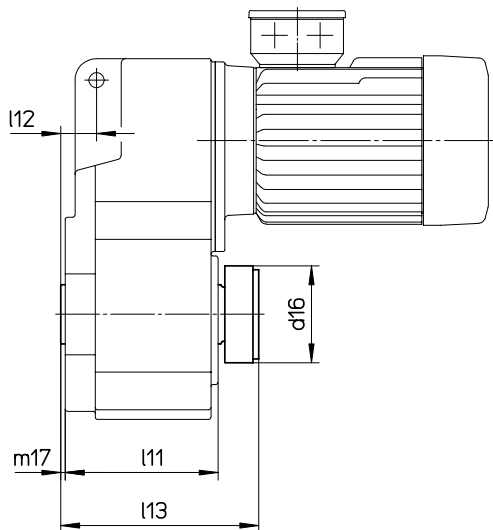
# 軸上取り付け ヘリカルギヤユニット F (中実軸仕様)

# KEB



減速機	d10	m10	m11	m12	b10	t10	s10	l10	l11	m13
F3	30	60	5	50	8	33	M10	27	115	6
F4	40	80	5	70	12	43	M16	36	142	7
F5	50	100	10	80	14	53.5	M16	42	170	8
F6	60	120	10	100	18	64	M20	50	198	9

# 軸上取り付け ヘリカルギヤユニット F (シュリンクディスク仕様)

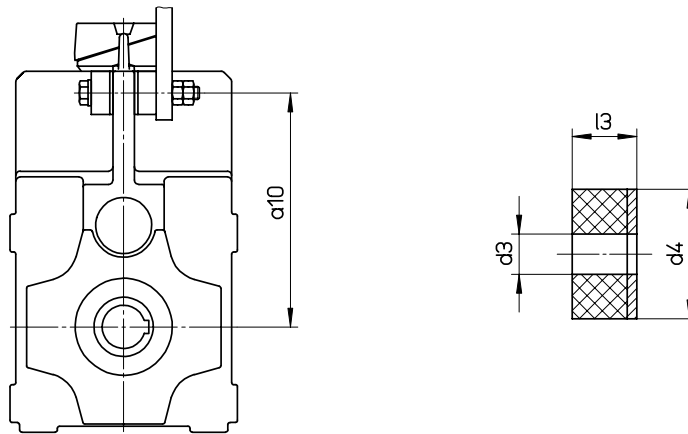


減速機	*)	d14	d15	d16	m14	m15	m16	m17	l11	l12	l13
F3	DA100L	30	45	72	147	30	32	4	115	25	155
F4	DA112M	40	55	90	178	40	42	4	142	33	185
F5	DA132MX	50	70	110	212	50	52	5	170	39	220
F6	DA180M	60	85	138	242	60	62	6	198	47	250

\*) 取り付けが可能なモータサイズ

軸上取り付け ヘリカルギヤーユニット F  
(ラバーエレメント)

KEB



減速機	a10	d3	d4	l3
F3	182	12.5	30	15
F4	217	12.5	40	20
F5	270	21	50	30
F6	328	21	60	30

# 軸上取り付け ヘリカルギヤユニット F



i	M [Nm] cG=1	n2 [1/min]   Pmax [kW]				モータアダプター -M								
		n1=2800	n1=1400	n1=930	n1=700	IEC	IEC	IEC	IEC	IEC				
<b>F3.2</b>														
70.09	245	40 1.0	20 0.51	13 0.34	10.0 0.25	71	80				S4C	S4D		
58.41	280	48 1.4	24 0.71	16 0.47	12 0.35	71	80	90			S4C	S4D	S4E	
45.50	300	62 1.9	31 0.96	20 0.64	15 0.48	71	80	90	100	112	S4C	S4D	S4E	
36.89	300	76 2.4	38 1.2	25 0.79	19 0.59	71	80	90	100	112	S4C	S4D	S4E	
27.11	300	103 3.2	52 1.6	34 1.1	26 0.81	71	80	90	100	112	S4C	S4D	S4E	
21.87	300	128 4.0	64 2.0	43 1.3	32 1.0	71	80	90			S4C	S4D	S4E	
18.44	300	152 4.8	76 2.4	50 1.6	38 1.2	71	80	90	100	112	S4C	S4D	S4E	
13.83	300	202 6.3	101 3.2	67 2.1	51 1.6	71	80	90	100	112	S4C	S4D	S4E	
11.68	300	240 7.5	120 3.8	80 2.5	60 1.9	71	80	90	100	112	S4C	S4D	S4E	
9.15	300	306 8.0	153 4.8	102 3.2	76 2.4			90	100	112			S4E	
7.19	300	389 8.0	195 6.1	129 4.0	97 3.0			90	100	112			S4E	
5.38	300	521 8.0	260 8.0	173 5.4	130 4.1			90	100	112			S4E	
4.01	300	698 8.0	349 8.0	232 7.3	174 5.5			90	100	112			S4E	
<b>F3.3</b>														
225.43	300	12 0.39	6.2 0.19	4.1 0.13	3.1 0.10	63	71	80	S4B	S4C	S4D			
176.25	300	16 0.50	7.9 0.25	5.3 0.17	4.0 0.12	63	71	80	S4B	S4C	S4D			
143.46	300	20 0.61	9.8 0.31	6.5 0.20	4.9 0.15	63	71	80	S4B	S4C	S4D			
106.57	300	26 0.82	13 0.41	8.7 0.27	6.6 0.21	63	71	80	S4B	S4C	S4D			
81.98	300	34 1.1	17 0.53	11 0.36	8.5 0.27	63	71	80	S4B	S4C	S4D			
69.68	300	40 1.3	20 0.63	13 0.42	10 0.31	63	71	80	S4B	S4C	S4D			
<b>F4.2</b>														
70.89	430	39 1.8	20 0.89	13 0.59	9.9 0.44	80	90				S4D	S4E		
55.61	530	50 2.8	25 1.4	17 0.92	13 0.70	80	90	100	112	132	S4D	S4E	S4F	
45.22	635	62 4.1	31 2.1	21 1.4	15 1.0	80	90	100	112	132	S4D	S4E	S4F	
33.550	715	83 6.3	42 3.1	28 2.1	21 1.6	80	90	100	112	132	S4D	S4E	S4F	
28.600	715	98 7.3	49 3.7	33 2.4	24 1.8			90	100	112	132		S4E	S4F
23.15	540	121 6.9	60 3.4	40 2.3	30 1.7	80	90	100	112	132	S4D	S4E	S4F	
17.42	715	161 12	80 6.0	53 4.0	40 3.0	80	90	100	112	132	S4D	S4E	S4F	
13.52	715	207 16	104 7.8	69 5.2	52 3.9			100	112	132			S4F	
11.85	690	236 17	118 8.5	79 5.7	59 4.3		90	100	112	132		S4E	S4F	
8.71	715	322 18	161 12	107 8.0	80 6.0			100	112	132			S4F	
7.10	715	395 18	197 15	131 9.8	99 7.4			100	112	132			S4F	
5.35	715	524 18	262 18	174 13	131 9.8			100	112	132			S4F	
4.02	715	696 18	348 18	231 17	174 13			100	112	132			S4F	
<b>F4.3</b>														
681.24	580	4.1 0.25	2.1 0.12	1.4 0.08	1.0 0.06	63	71	80			S4B	S4C	S4D	
599.36	580	4.7 0.28	2.3 0.14	1.6 0.09	1.2 0.07	63	71	80			S4B	S4C	S4D	
481.96	580	5.8 0.35	2.9 0.18	1.9 0.12	1.5 0.09	63	71	80			S4B	S4C	S4D	
401.64	580	7.0 0.42	3.5 0.21	2.3 0.14	1.7 0.11	63	71	80	90		S4B	S4C	S4D	S4E
308.95	580	9.1 0.55	4.5 0.27	3.0 0.18	2.3 0.14	63	71	80	90		S4B	S4C	S4D	S4E
216.27	580	13 0.78	6.5 0.39	4.3 0.26	3.2 0.20	63	71	80			S4B	S4C	S4D	
177.43	580	16 0.96	7.9 0.48	5.2 0.32	3.9 0.24	63	71	80			S4B	S4C	S4D	
140.35	580	20 1.2	10.0 0.60	6.6 0.40	5.0 0.30	63	71	80	90		S4B	S4C	S4D	S4E
115.86	580	24 1.5	12 0.73	8.0 0.49	6.0 0.37	63	71	80	90		S4B	S4C	S4D	S4E
88.21	580	32 1.9	16 0.96	11 0.64	7.9 0.48	63	71	80	90		S4B	S4C	S4D	S4E
69.09	580	41 2.5	20 1.2	13 0.81	10 0.61	63	71	80	90		S4B	S4C	S4D	S4E
52.68	580	53 3.0	27 1.6	18 1.1	13 0.80	63	71	80			S4B	S4C	S4D	
37.92	580	74 3.0	37 2.2	25 1.5	18 1.1	63	71	80			S4B	S4C	S4D	

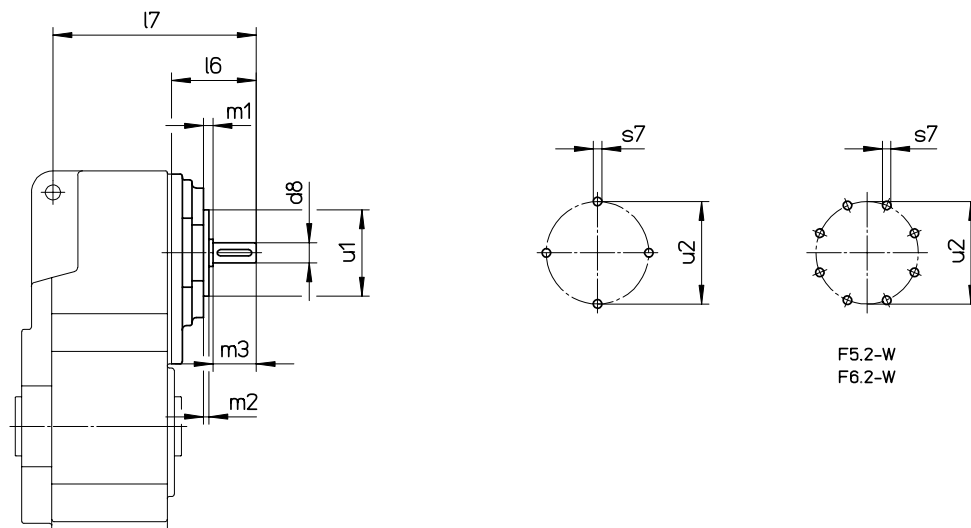
# 軸上取り付け ヘリカルギヤユニット F



i	M [Nm] cG=1	n2 [1/min]   Pmax [kW]				モータアダプター -M							
		n1=2800	n1=1400	n1=930	n1=700	IEC	IEC	IEC	IEC	IEC			
<b>F5.2</b>						IEC	IEC	IEC	IEC	IEC			
70.89	905	39 3.8	20 1.9	13 1.2	9.9 0.94	90	100	112			S4E		
58.06	1020	48 5.2	24 2.6	16 1.7	12 1.3	90	100	112			S4E		
43.450	1260	64 8.5	32 4.3	21 2.8	16 2.1	90	100	112	132	160	S4E	S4F	
36.850	1420	76 11	38 5.7	25 3.8	19 2.8	90	100	112	132	160	S4E	S4F	
29.79	1500	94 15	47 7.4	31 4.9	23 3.7	90	100	112	132	160	S4E	S4F	
23.15	1020	121 13	60 6.4	40 4.3	30 3.2	90	100	112	132	160	S4E	S4F	
18.33	1500	153 24	76 12	51 8.0	38 6.0	90	100	112	132	160	S4E	S4F	
14.300	1500	196 31	98 15	65 10	49 7.7	90	100	112	132	160	S4E	S4F	
12.15	1500	231 36	115 18	77 12	58 9.1	90	100	112	132	160	S4E	S4F	
8.800	1360	318 37	159 23	106 15	80 11	90	100	112	132	160	S4E	S4F	
7.12	1500	393 37	197 31	131 21	98 15				132	160		S4F	
5.79	1380	484 37	242 35	161 23	121 18				132	160		S4F	
<b>F5.3</b>						IEC	IEC	IEC	IEC	IEC			
735.37	1240	3.8 0.50	1.9 0.25	1.3 0.16	0.95 0.12	71	80				S4C	S4D	
593.46	1350	4.7 0.67	2.4 0.33	1.6 0.22	1.2 0.17	71	80				S4C	S4D	
490.25	1350	5.7 0.81	2.9 0.40	1.9 0.27	1.4 0.20	71	80	90			S4C	S4D S4E	
380.59	1350	7.4 1.0	3.7 0.52	2.4 0.34	1.8 0.26	71	80	90	100	112	S4C	S4D S4E	
309.63	1350	9.0 1.3	4.5 0.64	3.0 0.42	2.3 0.32	71	80	90	100	112	S4C	S4D S4E	
221.16	1350	13 1.8	6.3 0.89	4.2 0.59	3.2 0.45	71	80				S4C	S4D	
179.70	1350	16 2.2	7.8 1.1	5.2 0.73	3.9 0.55	71	80	90			S4C	S4D S4E	
149.98	1350	19 2.6	9.3 1.3	6.2 0.87	4.7 0.66	71	80	90	100	112	S4C	S4D S4E	
114.11	1350	25 3.5	12 1.7	8.2 1.1	6.1 0.87	71	80	90			S4C	S4D S4E	
90.31	1350	31 4.4	16 2.2	10 1.5	7.8 1.1	71	80	90	100	112	S4C	S4D S4E	
82.94	1350	34 4.8	17 2.4	11 1.6	8.4 1.2			90				S4E	
73.54	1350	38 5.4	19 2.7	13 1.8	9.5 1.3	71	80	90	100	112	S4C	S4D S4E	
61.57	1350	45 6.4	23 3.2	15 2.1	11 1.6			90				S4E	
54.74	1350	51 7.2	26 3.6	17 2.4	13 1.8			90				S4E	
40.64	1350	69 8.0	34 4.9	23 3.2	17 2.4			90				S4E	
<b>F6.2</b>						IEC	IEC	IEC	IEC	IEC			
72.11	1750	39 7.1	19 3.6	13 2.4	9.7 1.8	100	112						
53.900	1950	52 11	26 5.3	17 3.5	13 2.6	100	112	132	160			S4F	
46.200	2400	61 15	30 7.6	20 5.1	15 3.8	100	112	132	160			S4F	
37.58	2490	75 19	37 9.7	25 6.5	19 4.9	100	112	132	160			S4F	
28.97	2570	97 26	48 13	32 8.6	24 6.5	100	112	132	160			S4F	
21.750	2440	129 33	64 16	43 11	32 8.2	100	112	132	160			S4F	
18.260	2600	153 42	77 21	51 14	38 10	100	112	132	160			S4F	
14.40	2750	194 56	97 28	65 19	49 14			132	160	180		S4F	
11.73	2290	239 57	119 29	79 19	60 14	100	112	132	160	180		S4F	
8.91	2620	314 60	157 43	104 29	79 22			132	160	180		S4F	
7.17	2750	391 60	195 56	130 37	98 28					180			
5.80	2500	483 60	241 60	160 42	121 32					180			
<b>F6.3</b>						IEC	IEC	IEC	IEC	IEC			
682.73	2360	4.1 1.0	2.1 0.51	1.4 0.34	1.0 0.25	80						S4D	
568.94	2750	4.9 1.4	2.5 0.71	1.6 0.47	1.2 0.35	80	90					S4D S4E	
443.18	2750	6.3 1.8	3.2 0.91	2.1 0.60	1.6 0.45	80	90	100	112	132		S4D S4E S4F	
359.33	2750	7.8 2.2	3.9 1.1	2.6 0.74	1.9 0.56	80	90	100	112	132		S4D S4E S4F	
264.11	2750	11 3.0	5.3 1.5	3.5 1.0	2.7 0.76	80	90	100	112	132		S4D S4E S4F	
213.03	2750	13 3.8	6.6 1.9	4.4 1.3	3.3 0.95	80	90					S4D S4E	
179.67	2750	16 4.5	7.8 2.2	5.2 1.5	3.9 1.1	80	90	100	112	132		S4D S4E S4F	
134.750	2750	21 6.0	10 3.0	6.9 2.0	5.2 1.5	80	90	100	112	132		S4D S4E S4F	
113.79	2750	25 7.1	12 3.5	8.2 2.4	6.2 1.8	80	90	100	112	132		S4D S4E S4F	
89.14	2750	31 9.0	16 4.5	10 3.0	7.9 2.3			90	100	112	132		S4E S4F
70.070	2750	40 11	20 5.7	13 3.8	10.0 2.9			90	100	112	132		S4E S4F
52.360	2750	53 15	27 7.7	18 5.1	13 3.8			90	100	112	132		S4E S4F

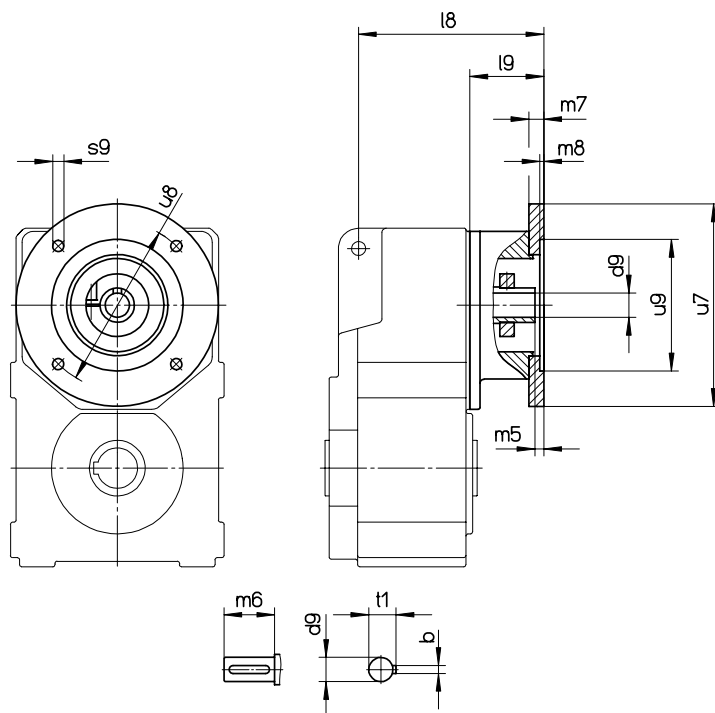


# 軸上取り付け ヘリカルギヤユニット F



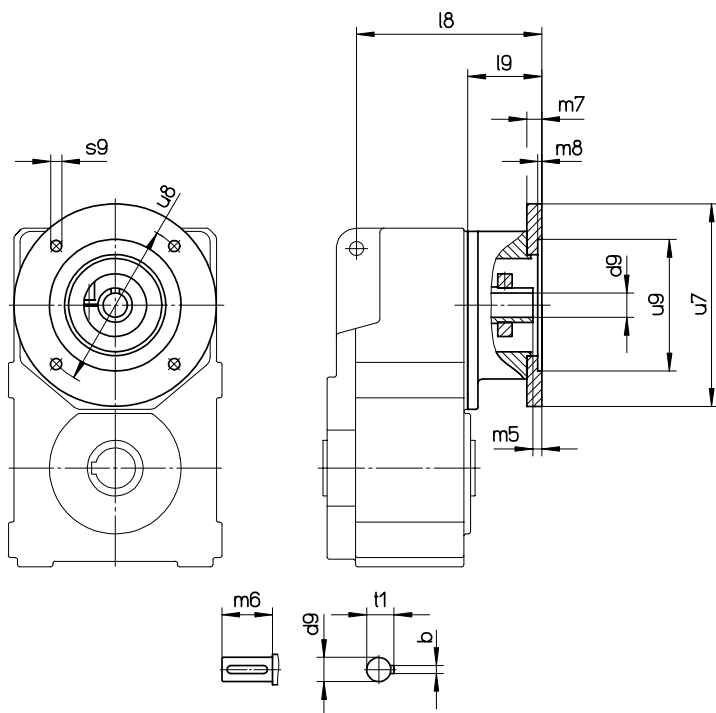
減速機	d8	m3	m1	m2	u1	u2	s7	l6	l7
F3.2-W	19	40	9	5	80	95	M8	84.5	175
F3.3-W	14	40	8	5	54	67	M6	94.5	185
F4.2-W	24	50	9	5	80	95	M8	88.5	198.5
F4.3-W	14	40	8	5	54	67	M6	89.5	199.5
F5.2-W	28	60	11	6	125	150	M10	119.5	252.5
F5.3-W	19	40	9	5	80	95	M8	104	237
F6.2-W	38	80	11	6	125	150	M10	131.5	285
F6.3-W	24	50	9	5	80	95	M8	114.5	265

# 軸上取り付け ヘリカルギヤユニット F (IEC規格モータ用連結アダプター付き)



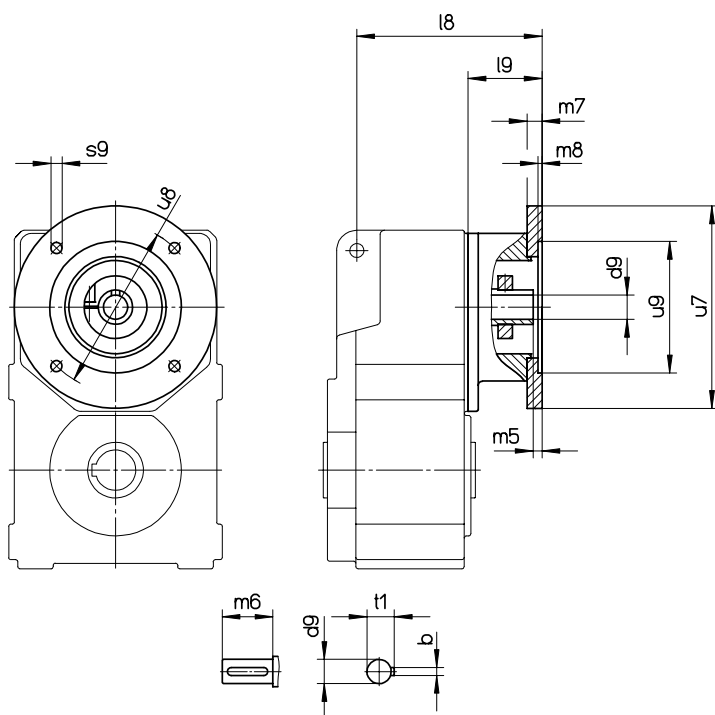
減速機	アダプター	u7	u8	u9	s9	d9	m6	b	t1	m5	m7	m8	l8	l9
F3.2	-M IEC71B14G	140	115	95	9	14	30	5	16	5	15	4	149	58.5
	-M IEC71B5	160	130	110	9							4.5		
	-M IEC80B14G	160	130	110	9	19	40	6	21.5	7	15	4.5	159	68.5
	-M IEC80B5	200	165	130	11							4.5		
	-M IEC90B14K	140	115	95	9	24	50	8	27	9	15	4	170	79.5
	-M IEC90B14G	160	130	110	9							4.5		
	-M IEC90B5	200	165	130	11	28	60	8	31	9	15	4.5	178	87.5
	-M IEC100B14K	160	130	110	9							4.5		
	-M IEC100B14G	200	165	130	11	28	60	8	31	9	15	4.5	178	87.5
	-M IEC100B5	250	215	180	14							5		
	-M IEC112B14K	160	130	110	9	28	60	8	31	9	15	4.5	178	87.5
	-M IEC112B14G	200	165	130	11							4.5		
-M IEC112B5	250	215	180	14							5			
F3.3	-M IEC63B14G	120	100	80	7	11	23	4	12.5	4.5	12	4	154	46.5
	-M IEC63B5	140	115	95	9							4		
	-M IEC71B14G	140	115	95	9	14	30	5	16	5	12	4	158	50.5
	-M IEC71B5	160	130	110	9							4.5		
	-M IEC80B14K	120	100	80	7	19	40	6	21.5	7	12	4	167	59.5
	-M IEC80B14G	160	130	110	9							4.5		
	-M IEC80B5	200	165	130	11							4.5		

軸上取り付け ヘリカルギヤユニット F  
(IEC規格モータ用連結アダプター付き)



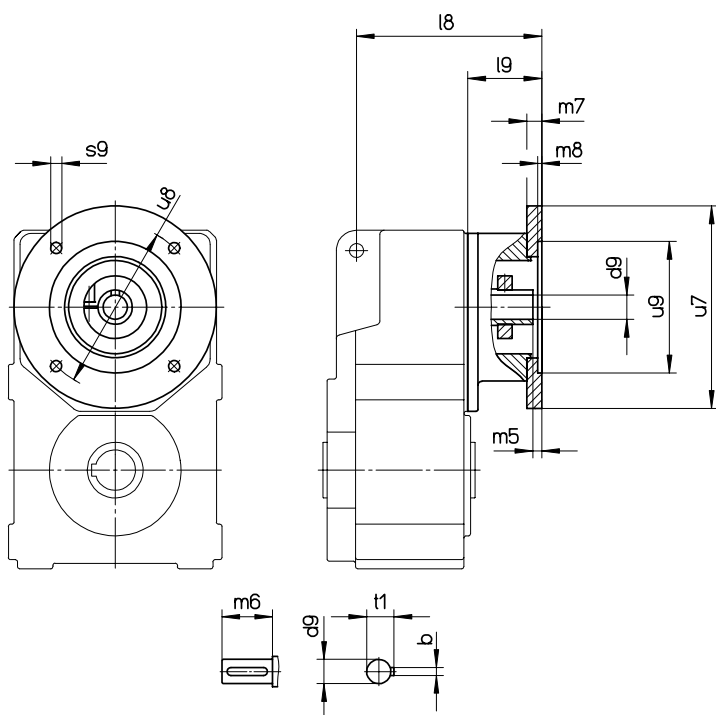
減速機	アダプター	u7	u8	u9	s9	d9	m6	b	t1	m5	m7	m8	l8	l9	
F4.2	-M IEC80B14G	160	130	110	9	19	40	6	21.5	7	15	4.5	117	63	
	-M IEC80B5	200	165	130	11							4.5			
	-M IEC90B14G	160	130	110	9	24	50	8	27	9	15	4.5	184	74	
	-M IEC90B5	200	165	130	11							4.5			
	-M IEC100B14K	160	130	110	9	28	60	8	31	9	15	4.5	192	82	
	-M IEC100B14G	200	165	130	11							4.5			
	-M IEC100B5	250	215	180	14	28	60	8	31	9	15	5	192	82	
	-M IEC112B14K	160	130	110	9							4.5			
	-M IEC112B14G	200	165	130	11	28	60	8	31	9	15	4.5	192	82	
	-M IEC112B5	250	215	180	14							5			
-M IEC132B5	300	265	230	14	38	80	10	41	13.5	15	5	216	106		
F4.3	-M IEC63B14G	120	100	80	7	11	23	4	12.5	4.5	12	4	168.5	43	
	-M IEC63B5	140	115	95	9							4			
	-M IEC71B14G	140	115	95	9	14	30	5	16	5	12	4	172.5	47	
	-M IEC71B5	160	130	110	9							4.5			
	-M IEC80B14K	120	100	80	7	19	40	6	21.5	7	12	4	181.5	56	
	-M IEC80B14G	160	130	110	9							4.5			
	-M IEC80B5	200	165	130	11	140	115	95	9	140	115	95	9	140	115
	-M IEC90B14K	140	115	95	9										
	-M IEC90B14G	160	130	110	9	24	40	8	27	9	12	4.5	194	68.5	
	-M IEC90B5	200	165	130	11							4.5			

# 軸上取り付け ヘリカルギヤユニット F (IEC規格モータ用連結アダプター付き)



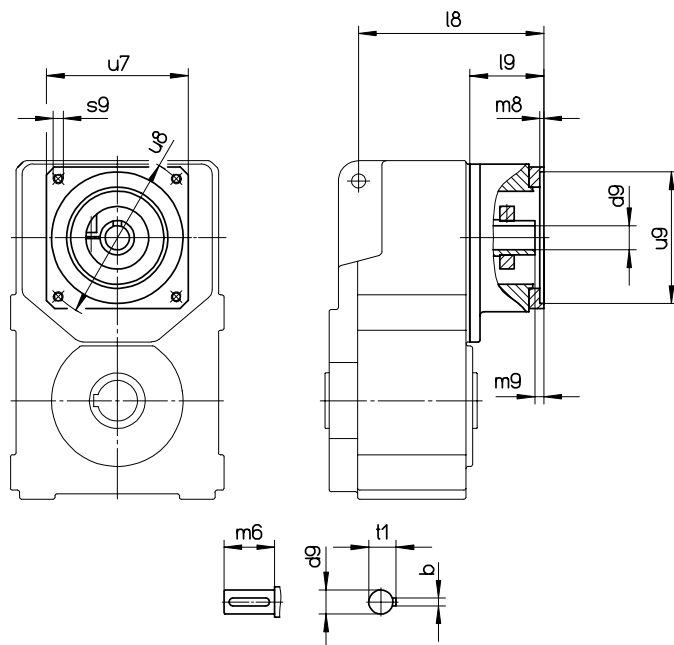
減速機	アダプター	u7	u8	u9	s9	d9	m6	b	t1	m5	m7	m8	l8	l9
F5.2	-M IEC90B5	200	165	130	11	25	50	8	27	9	18	4.5	210.5	77.5
	-M IEC100B14G	200	165	130	11	28	60	8	31	9	18	4.5	220.5	87.5
	-M IEC100B5	250	215	180	14							5		
	-M IEC112B14G	200	165	130	11	28	60	8	31	9	18	4.5	220.5	87.5
	-M IEC112B5	250	215	180	14							5		
	-M IEC132B5	300	265	230	14	38	80	10	41	13.5	18	5	241.5	108.5
-M IEC160B5	350	300	250	18	42	110	12	45	14	18	6	271.5	138.5	
F5.3	-M IEC71B14G	140	115	95	9	14	30	5	16	5	15	4	211	58.5
	-M IEC71B5	160	130	110	9							4.5		
	-M IEC80B14G	160	130	110	9	19	40	6	21.5	7	15	4.5	221	68.5
	-M IEC80B5	200	165	130	11							4.5		
	-M IEC90B14K	140	115	95	9	24	50	8	27	9	15	4	232	79.5
	-M IEC90B14G	160	130	110	9							4.5		
	-M IEC90B5	200	165	130	11	28	60	8	31	9	15	4.5	240	87.5
	-M IEC100B14K	160	130	110	9							4.5		
	-M IEC100B14G	200	165	130	11	28	60	8	31	9	15	4.5	240	87.5
	-M IEC100B5	250	215	180	14							5		
	-M IEC112B14K	160	130	110	9	28	60	8	31	9	15	4.5	240	87.5
	-M IEC112B14G	200	165	130	11							4.5		
	-M IEC112B5	250	215	180	14							5		

# 軸上取り付け ヘリカルギヤユニット F (IEC規格モータ用連結アダプター付き)



減速機	アダプター	u7	u8	u9	s9	d9	m6	b	t1	m5	m7	m8	l8	l9
F6.2	-M IEC100B5	250	215	180	14	28	60	8	31	9	20	5	233.5	80
	-M IEC112B5	250	215	180	14	28	60	8	31	9	20	5	233.5	80
	-M IEC132B5	300	265	230	14	38	80	10	41	13.5	20	5	255.5	102
	-M IEC160B5	350	300	250	18	42	110	12	45	14	20	6	285.5	132
	-M IEC180B5	350	300	250	18	48	110	14	51.5	17	20	6	285.5	132
F6.3	-M IEC80B14G	160	130	110	9	19	40	6	21.5	7	15	4.5	239.5	63
	-M IEC80B5	200	165	130	11							4.5		
	-M IEC90B14G	160	130	110	9	24	50	8	27	9	15	4.5	250.5	74
	-M IEC90B5	200	165	130	11							4.5		
	-M IEC100B14K	160	130	110	9	28	60	8	31	9	15	4.5	258.5	82
	-M IEC100B14G	200	165	130	11							4.5		
	-M IEC100B5	250	215	180	14	28	60	8	31	9	15	5	258.5	82
	-M IEC112B14K	160	130	110	9							4.5		
	-M IEC112B14G	200	165	130	11	28	60	8	31	9	15	4.5	258.5	82
	-M IEC112B5	250	215	180	14							5		
	-M IEC132B5	300	265	230	14	38	80	10	41	13.5	15	5	282.5	106

# 軸上取り付け ヘリカルギヤユニット F (サーボモータ用連結アダプター付き)



減速機	アダプター	u7	u8	u9	s9	d9	m6	b	t1	m5	m8	l8	l9
F3.2	-M S4C	92	100	80	M6	14	30	5	16	5	4	149	58.5
	-M S4D	110	115	95	M8	19	40	6	21.5	7	4	159	68.5
	-M S4E	140	165	130	M10	24	50	8	27	9	4.5	170	79.5
F3.3	-M S4B	70	75	60	M5	11	23	4	12.2	4.5	3.5	154	46.5
	-M S4C	92	100	80	M6	14	30	5	16	5	4	158	50.5
	-M S4D	110	115	95	M8	19	40	6	21.5	7	4	167	59.5
F4.2	-M S4D	110	115	95	M8	19	40	6	21.5	7	4	117	63
	-M S4E	140	165	130	M10	24	50	8	27	9	4.5	184	74
	-M S4F	190	215	180	M12	32	58	10	35	9	5	192	82
F4.3	-M S4B	70	75	60	M5	11	23	4	12.2	4.5	3.5	168.5	43
	-M S4C	92	100	80	M6	14	30	5	16	5	4	172.5	47
	-M S4D	110	115	95	M8	19	40	6	21.5	7	4	181.5	56
F5.2	-M S4E	140	165	130	M10	24	50	8	27	9	4.5	194	68.5
	-M S4F	190	215	180	M12	32	58	10	35	9	5	220.5	87.5
F5.3	-M S4C	92	100	80	M6	14	30	5	16	5	4	211	58.5
	-M S4D	110	115	95	M8	19	40	6	21.5	7	4	221	68.5
	-M S4E	140	165	130	M10	24	50	8	27	9	4.5	232	79.5
F6.2	-M S4F	190	215	180	M12	32	58	10	35	9	5	233.5	80
F6.3	-M S4D	110	115	95	M8	19	40	6	21.5	7	4	239.5	63
	-M S4E	140	165	130	M10	24	50	8	27	9	4.5	250.5	74
	-M S4F	190	215	180	M12	32	58	10	35	9	5	258.5	82